

ADA FLOW



**Ultrasonic level
transmitter ULS-B**

www.adaflow.com.tr

Addr: 19th floor, no:99, Buyukdere Rd, Istanbul - Turkey. **Tel:** +90 (537) 289 4118

www.adaflow.com | info@adaflow.com

Ultrasonic level transmitter ULS-B

Ultrasonic level meter (measurement of liquid level/material level) is a non-contact, high reliability, cost-effective, easy-to-install and maintain liquid level/material level measuring instrument. It can meet most liquid level/level measurement requirements without contacting the measured medium. It is a new generation of ultrasonic level gauge with completely independent property rights of our company.

Features

- Simple operation
- Remote type with touch buttons improves the quality of human-computer interaction
- Fault self-diagnosis technology, realize real-time fault self-diagnosis
- A variety of working conditions algorithm selection, improve environmental adaptability;
- High measurement resolution
- Fast response, the fastest response time:2 seconds;
- Automatic temperature compensation

Applications

- Fire water tank
- Deep well water level
- River reservoir
- Engineering pool
- Sewage/waste water
- Chemical material

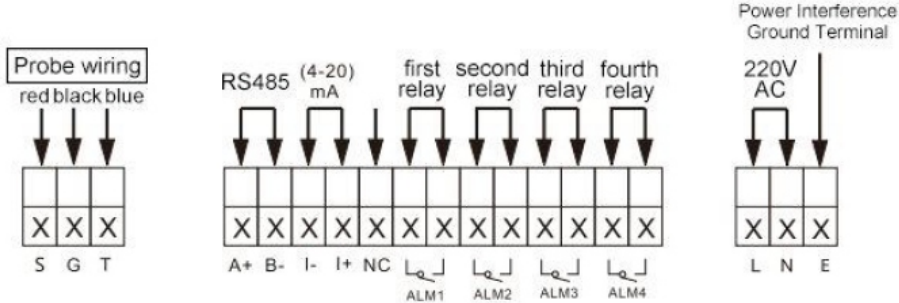
Wiring

Parameters	
Product	Ultrasonic level transmitter
Model	SUP-ULS-B
Measure range	0-5m,0-10m,0-15m(optional)
Blind zone	≤0.3m(5m)
	≤0.35m(10m)
	≤0.5m(15m)
Accuracy	±0.5%FS
	±0.3%FS
Display	Monochrome LCD screen
Output (optional)	Isolated,4-20mA
	Output precision:±0.5%FS RL≤500Ω
Measuring variable	Level/Distance
Power supply	100-240 VAC,5W MAX,50/6Hz
	18-28 VDC
Temperature range	Converter:-20-60 °C
	Sensor:-20-80 °C
Humidity range	10%-85% RH(no condensation)
Ingress protection	Converter:IP65
	Sensor:IP68
Cable	10m(Standard)
	30mMAX(optional)

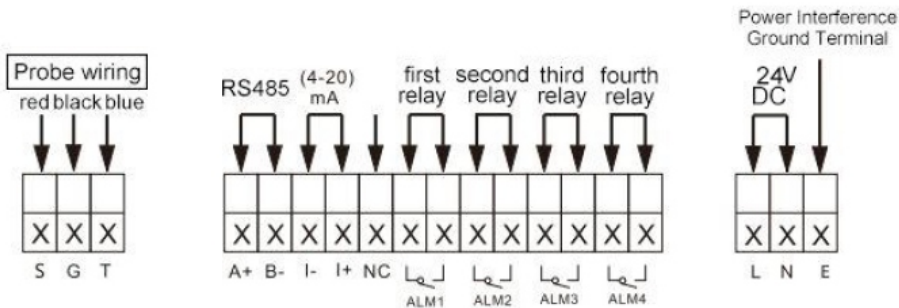
Touch the sensitivity...

Ultrasonic level transmitter ULS-B

Wiring



220V Power supply



24V Power supply

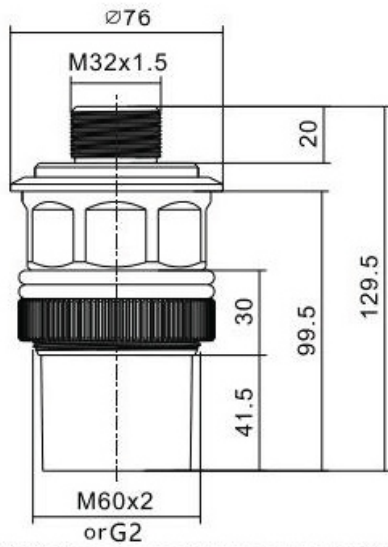
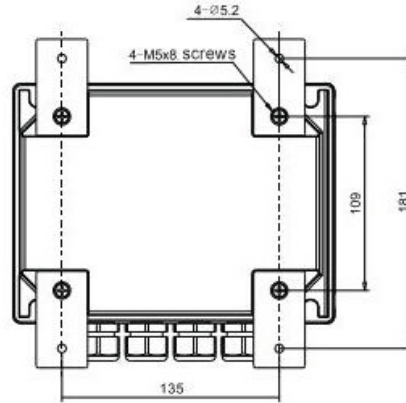
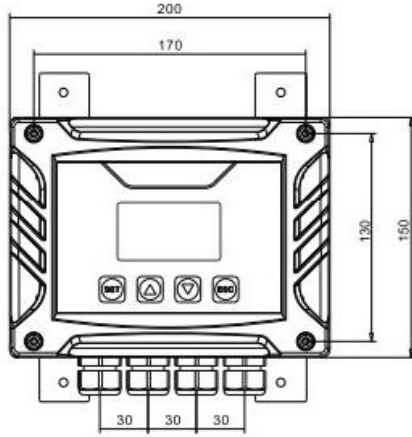
Ordering code

SUP-ULS-B-RT1-ST1-J5-O1-D0-A2-V1-CS10				Description
SUP-ULS-B	-	-	-	5m
Measurement range	RT1	-	-	10m
	RT2	-	-	15m
	RT3	-	-	Standard
Sensor type	ST1	-	-	Anticorrosion
	ST2	-	-	0.5%
Accuracy	-	J5	-	(4~20) mA
Output	-	-	O1	RS485
Communication	-	-	D0	2 relay
Relay output	-	-	-	4 relay
	-	-	A2 A4	(100~240)VAC
Power supply	-	-	-	(18~28) VDC
	-	-	V1 V2	10m
Cable length	-	-	-	CS10
	-	-	-	CS15
	-	-	-	CS20
	-	-	-	CS25
	-	-	-	CS30

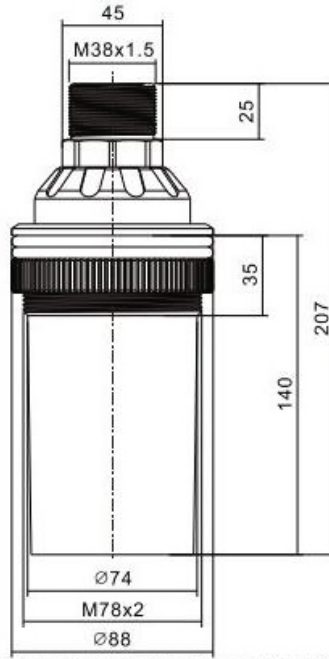
Touch the sensitivity...

Ultrasonic level transmitter ULS-B

Dimension



M60*2 Thread sensor(Remote type 5m/10m)



M78*2 Thread sensor(Remote type 15m)

Touch the sensitivity...